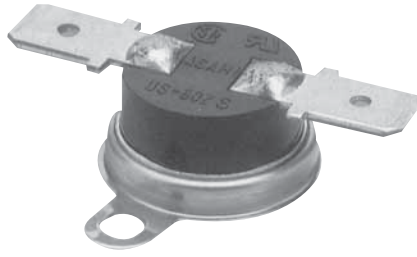


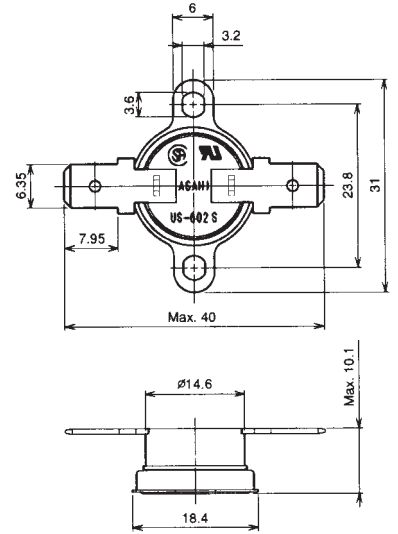
US-602SXRLQE



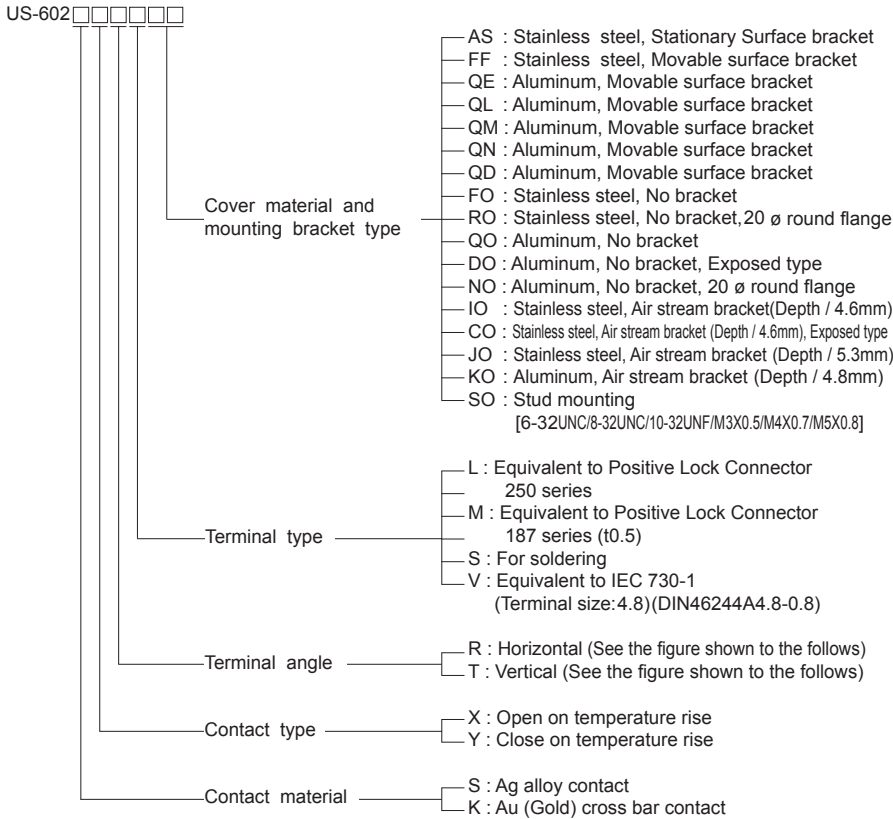
Specification

- Electrical rating : Type S : 125 VAC, 15A max., resistive load
250 VAC, 8A max., resistive load
Type K : 30 VDC, 1A max., resistive load
120 VAC, 125VA (Pilot Duty)
 - Operating temp. range : 10 to 160°C (50 Degrees F to 320 Degrees F)
 - Differential : 10 to 25K (50 Degrees F to 77 Degrees F)
 - Temp. tolerance : Operating temp. ±4°C / Returning temp. ±7°C
 - Circuit resistance (initial value) : Type S : 50 mΩ or less
Type K : 10 mΩ or less
 - Insulation resistance : 100 MΩ or more (with a 500 VDC megger)
 - Dielectric strength : S type AC1,500V / minute
K type AC1,200V / minute
 - The maximum override temperature : 195°C(383 Degrees F)
 - Switching durability : 100,000 times or more (at rated load)
- *The differential varies slightly with the operating temperature.
*Low-temperature use products (anti freezing type) are also available.

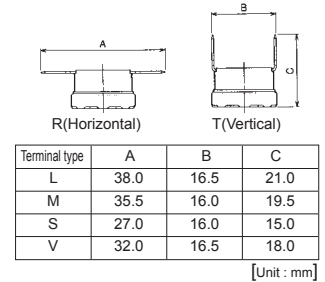
Dimensional drawings



Model Code



Terminal type and angle



Please refer to page 129 concerning the shape and measurement of bracket.